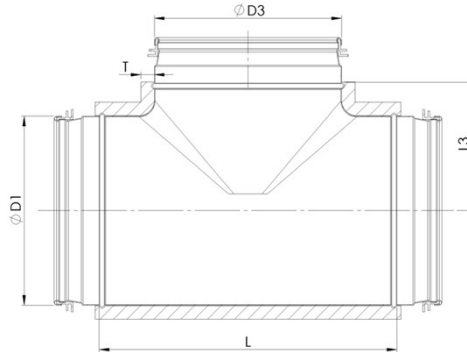


Pre-insulated T-joints with gaskets IF-TCPS



Description

Insulated metal T-joints are designed for ventilation, conditioning and recuperation purposes. The insulation provides excellent sound insulation, heat insulation and protects against condensation. Factory-applied insulation significantly reduces on-site assembly time

Technical data

Construction	T-joints, made of galvanized steel or other metal Covered with flexible elastomeric foam (FEF) insulation
Connection	Male-Male type end connection
Installation	Screws, rivets
Colors	Black

Technical specifications

Essential characteristics	Performance properties	Testing standards
Thermal conductivity coefficient (for all thicknesses)	-10°C- 0,034 W/(m*K) 0°C- 0,036 W/(m*K) 25°C- 0,037 W/(m*K) 40°C- 0,041 W/(m*K)	EN 12667
Reaction to fire	B- s3, d0	EN 13501-1
Operating temperature	-40°C ... 85°C	

Product type

Insulation thickness T [mm]	IF _{xx} -TCPS _{yyy} -nnn
T-joint diameter ØD1 _{nom}	
T-joint diameter ØD3 _{nom}	

Dimensions

Type	ØD1 _{nom} [mm]	ØD3 _{nom} [mm]	L [mm]	L3 [mm]	T [mm]	m [kg]
IF09-TCPS100-100*	100	100	195	71	9	0,55
IF09-TCPS125-100*	125	100	195	79	9	0,63
IF09-TCPS125-125*	125	125	220	82	9	0,72
IF09-TCPS160-100*	160	100	195	97	9	0,76
IF09-TCPS160-125*	160	125	220	99	9	0,86
IF09-TCPS160-160*	160	160	255	99	9	1,08
IF09-TCPS200-125*	200	125	230	118	9	1,04
IF09-TCPS200-160*	200	160	265	129	9	1,31
IF09-TCPS200-200	200	200	270	110	9	1,13
IF19-TCPS100-100*	100	100	195	71	19	0,61
IF19-TCPS125-100*	125	100	195	79	19	0,71
IF19-TCPS125-125*	125	125	220	82	19	0,80
IF19-TCPS160-100*	160	100	195	97	19	0,85
IF19-TCPS160-125*	160	125	220	99	19	0,96
IF19-TCPS160-160*	160	160	255	99	19	1,20
IF19-TCPS200-125*	200	125	230	118	19	1,17
IF19-TCPS200-160*	200	160	265	129	19	1,47
IF19-TCPS200-200	200	200	270	110	19	1,29
IF25-TCPS100-100*	100	100	195	71	25	0,66
IF25-TCPS125-100*	125	100	195	79	25	0,76
IF25-TCPS125-125*	125	125	220	82	25	0,86
IF25-TCPS160-100*	160	100	195	97	25	0,91
IF25-TCPS160-125*	160	125	220	99	25	1,03
IF25-TCPS160-160*	160	160	255	99	25	1,28
IF25-TCPS200-125*	200	125	230	118	25	1,26
IF25-TCPS200-160*	200	160	265	129	25	1,57
IF25-TCPS200-200	200	200	270	110	25	1,38

*Pressed

When making a special order, T-joints are available in other sizes